

**JUNO**

Project: \_\_\_\_\_

Fixture Type: \_\_\_\_\_

Location: \_\_\_\_\_

Contact/Phone: \_\_\_\_\_

**4" BASICS SERIES™  
LED RETROFIT ADJUSTABLE TRIM**ADJUSTABLE RETROFIT FOR STANDARD 4"  
RECESSED HOUSINGS**4RLA G2 06LM****PRODUCT DESCRIPTION**

Energy efficient LED adjustable trim module fits into standard 4" IC or non-IC recessed housings • Replaces 50W incandescent lamp, producing over 600 lumens • Adjustable gimbal design allows for up to 35° vertical aiming • Dimmable with most standard incandescent, magnetic low voltage and electronic low voltage dimmers • LED retrofit module is designed to provide 36,000 hours of life • 5 year warranty

**PRODUCT SPECIFICATIONS**

**LED Retrofit Adjustable Trim** Cast aluminum trim with white gimbal and flange. All-in-one design where LED light engine mounts directly to trim for ease of installation into existing 4" recessed housings with medium base sockets • Up to 35° vertical adjustment • Provided with push-in friction springs.

**LED Light Engine** LEDs mounted directly to aluminum housing designed to provide superior thermal management and ensure long life • 2700K or 3000K LED color temperature • 90 CRI minimum • Accommodates 120 volts AC at 60Hz • Dimmable with most standard incandescent, magnetic low voltage and electronic low voltage dimmers • For a list of compatible dimmers, see [JUNORETROBASICS-DIM](#).

**Electrical Connections** Trim features quick connect plug installed as standard for installation into IC1 LEDT24 and IC1R LEDT24 housings with mating connector • Trim ships with a medium base socket adapter whip for installation into 4" incandescent housings with medium base sockets.

**Optical System** Trims are offered with choice of 25° narrow flood or 65° wide flood beam patterns • LED source concealed with lensed optic.

**Life** Rated for 36,000 hours at 70% lumen maintenance.

**Labels** ENERGY STAR® Certified • Certified to the high efficacy requirements of California T24 • UL and cUL classified for use with most standard UL listed 4" recessed incandescent housings and Juno IC1 LEDT24 and IC1R LEDT24; see below for specific compatibility requirements • Damp location.

**Testing** All reports are based on published industry procedures; field performance may differ from laboratory performance.

Product specifications subject to change without notice.

**INSTALLATION**

The LED retrofit adjustable trim is provided with push-in friction springs as standard.

**COMPATIBLE HOUSINGS**

The 4RLA G2 retrofit adjustable trim is compatible with most 4" recessed housings measuring at least 4" high with an inside diameter between 4" and 4-1/2".

**Compatible housings include, but not limited to:**

**Juno housings:** IC1 and TC1 Series

**Juno quick-connect LED housings:** [IC1 LEDT24](#) and [IC1R LEDT24](#)

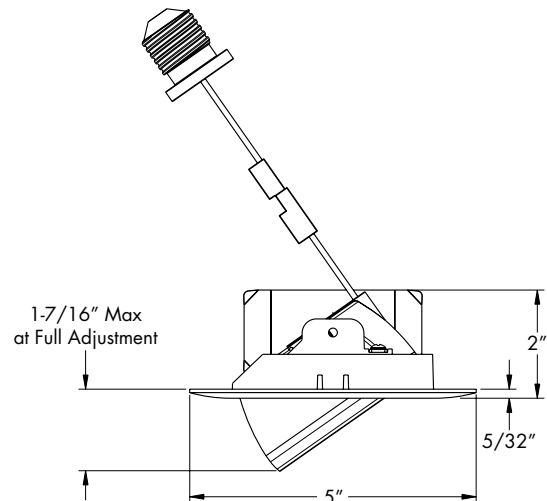
**VuLite® housings:** V4IC and V4TC Series

**Lithonia® housings:** L3 Series

**Halo® housings:** H99 Series

**Thomas® housings:** PS4 Series

**Capri® housings:** P4 and R4 Series

**DIMENSIONS****PERFORMANCE DATA**

	<b>27K</b>	<b>30K</b>
Input Voltage	120V	120V
Input Power Typical	10.5W	10.5W
Frequency	60Hz	60Hz
EMI/RFI	FCC Title 47, Part 15 Class B (consumer)	FCC Title 47, Part 15 Class B (consumer)
Minimum starting temp	-30°C (-22°F)	-30°C (-22°F)
CRI	90 min.	90 min.
CCT	2700K	3000K

# 4" BASICS SERIES™ LED RETROFIT ADJUSTABLE TRIM

ADJUSTABLE RETROFIT FOR STANDARD 4"  
RECESSED HOUSINGS

## 4RLA G2 06LM

### ORDERING INFORMATION

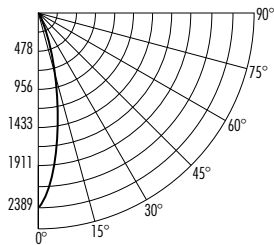
Ordering Example: 4RLA G2 06LM 27K 90CRI NFL 120 FRPC WH

Series	Generation	Lumens	Color Temperature	Color Rendering Index
4RLA 4" Juno Basics Retrofit Adjustable	G2 Generation 2	06LM 600 Nominal Lumens	27K 2700K 30K 3000K	90CRI 90+ CRI

Distribution	Voltage	Driver	Finish
NFL Narrow Flood WFL Wide Flood	120 120V	FRPC Forward/Reverse Phase Cut	WH White

#### PHOTOMETRIC REPORT

Test Report#: PT11151101R  
Catalog No: 4RLA G2 06LM 27K 90CRI NFL 120 FRPC WH  
Luminaire Spacing Criteria: 0.42  
Luminaire LPW: 60



#### CANDLEPOWER DISTRIBUTION (Candelas)

Degrees Vertical	0°
0	2389
5	2105
15	864
25	253
35	79
45	26
55	10
65	6
75	2
85	0
90	0

Multiplier: 3K - 1.03

#### AVERAGE INITIAL FOOTCANDLES

Multiple Units (Square Array, 60'x60' room)

Ceiling 80%, Walls 50%, Floors 20%

Spacing	RCR1	RCR3	RCR5
4'	44	40	36
5'	28	25	23
6'	20	18	16
7'	16	14	13
8'	13	11	10
9'	10	9	8
10'	7	6	6

#### ZONAL LUMEN SUMMARY

Zone	Lumens	%Lamp	%Fixture
0-30°	544	N/A	85.7
0-40°	595	N/A	93.8
0-60°	626	N/A	98.7
0-90°	634	N/A	100.0

#### INITIAL FOOTCANDLES

(One Unit: 10.5W, 24.3° Beam)

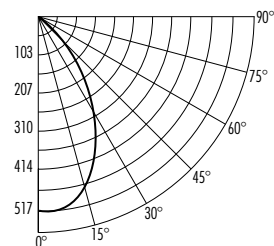
Distance to Illuminated Plane (Feet)	Footcandles Beam Center	Beam Diameter
4'	149.3	1.7
6'	66.4	2.6
8'	37.3	3.4
10'	23.9	4.3

#### LUMINANCE (Average cd/m²)

Angle in Degrees	Average 0-90°
45°	17578
55°	8505
65°	6215
75°	4531
85°	538

#### PHOTOMETRIC REPORT

Test Report#: PT10151401R  
Catalog No: 4RLA G2 06LM 27K 90CRI WFL 120 FRPC WH  
Luminaire Spacing Criteria: 1.02  
Luminaire LPW: 62



#### CANDLEPOWER DISTRIBUTION (Candelas)

Degrees Vertical	0°
0	517
5	513
15	474
25	384
35	228
45	101
55	50
65	21
75	5
85	0
90	0

Multiplier: 3K - 1.03

#### AVERAGE INITIAL FOOTCANDLES

Multiple Units (Square Array, 60'x60' room)

Ceiling 80%, Walls 50%, Floors 20%

Spacing	RCR1	RCR3	RCR5
4'	44	37	31
5'	28	24	20
6'	20	16	14
7'	16	13	11
8'	13	11	9
9'	10	8	7
10'	7	6	5

#### ZONAL LUMEN SUMMARY

Zone	Lumens	%Lamp	%Fixture
0-30°	356	N/A	54.7
0-40°	498	N/A	76.6
0-60°	623	N/A	95.8
0-90°	650	N/A	100.0

#### INITIAL FOOTCANDLES

(One Unit: 10.5W, 66.7° Beam)

Distance to Illuminated Plane (Feet)	Footcandles Beam Center	Beam Diameter
4'	32.3	5.3
6'	14.4	7.9
8'	8.1	10.5
10'	5.2	13.2

#### LUMINANCE (Average cd/m²)

Angle in Degrees	Average 0-90°
45°	99567
55°	60770
65°	34529
75°	14162
85°	0

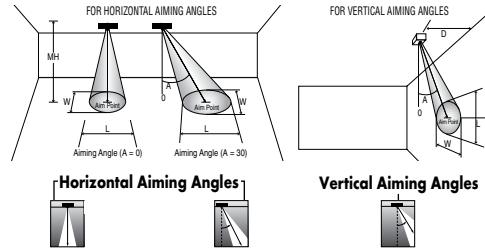
# 4" BASICS SERIES™ LED RETROFIT ADJUSTABLE TRIM

ADJUSTABLE RETROFIT FOR STANDARD 4" RECESSED HOUSINGS

## 4RLA G2 06LM

**CBCP** • Centerbeam candlepower  
**FC** • Footcandles at beam center (aim point)

In vertical aiming applications, aim point (X) is determined by dividing distance from the wall (D) by the tangent of the desired aim angle (A) (0.5774 for 30°, 1.0 for 45°).



FIXTURE	Beam Type	Beam Spread°	CBCP	0°				30°			30°				
				MH	FC	L	W	FC	L	W	D	FC	X	L	W
<b>With Wide Flood Optic</b>	WFL	65°	517	3	57	3.8	3.8	37	5.9	4.4	1	65	1.7	*	2.5
				4	32	5.1	5.1	21	7.9	5.9	2	16	3.5	*	5.1
				5	21	6.4	6.4	13	9.8	7.4	3	7	5.2	*	7.6
				6	14	7.6	7.6	9	11.8	8.8	4	4	6.9	*	10.2
				7	11	8.9	8.9	7	13.8	10.3	5	3	8.7	*	12.7
<b>With Narrow Flood Optic</b>	NFL	25°	2389	3	265	1.3	1.3	172	1.8	1.5	1	299	1.7	2.1	0.9
				4	149	1.8	1.8	97	2.4	2.0	2	75	3.5	4.2	1.8
				5	96	2.2	2.2	62	3.0	2.6	3	33	5.2	6.2	2.7
				6	66	2.7	2.7	43	3.6	3.1	4	19	6.9	8.3	3.5
				7	49	3.1	3.1	32	4.2	3.6	5	12	8.7	10.4	4.4

\*Covers full length of wall based on typical mounting heights of 8-12 feet.