



TRAC-MASTER®

QUICK JACK LED MINI-CYLINDER DISPLAY/PICTURE LIGHT VERTICAL MOUNT 12-VOLT AC

TQJDLV

Project: _____

Fixture Type: _____

Location: _____

Contact/Phone: _____

PRODUCT DESCRIPTION

The vertical mount Quick Jack LED Mini-Cylinder Display/Picture Light approximates the light output and distribution of 20W MR11 halogen lamps, utilizing less than 1/3 of the energy and having a rated life of 50,000 hours. Available in 2700K, 3000K, 3500K and 4000K color temperatures, the white-light TQJDLH Series is ideal for short-throw applications such as lighting artwork, signs, menu boards, posters and practically any vertical surface. It is designed to be mounted vertically from a horizontal plane, enabling it to "reach over" from behind displays or crown molding on cabinets or shelving units. The Quick Jack adapter makes it compatible with a variety of Juno LED-compatible Quick Jack mountings including the versatile new Quick Jack Power Clamp. The TQJDLV Series can be dimmed when used with any Juno dimmable 12-volt AC driver.

PRODUCT SPECIFICATIONS

LED High performance, low power LEDs provide outstanding reliability, performance and color quality/consistency • 2700K, 3000K, 3500K or 4000K white phosphor high performance LEDs designed to operate using 12-volt AC input • Provides 80 CRI minimum.

Optical Performance Separate versions are offered which provide uniform spot, narrow flood and flood beam patterns.

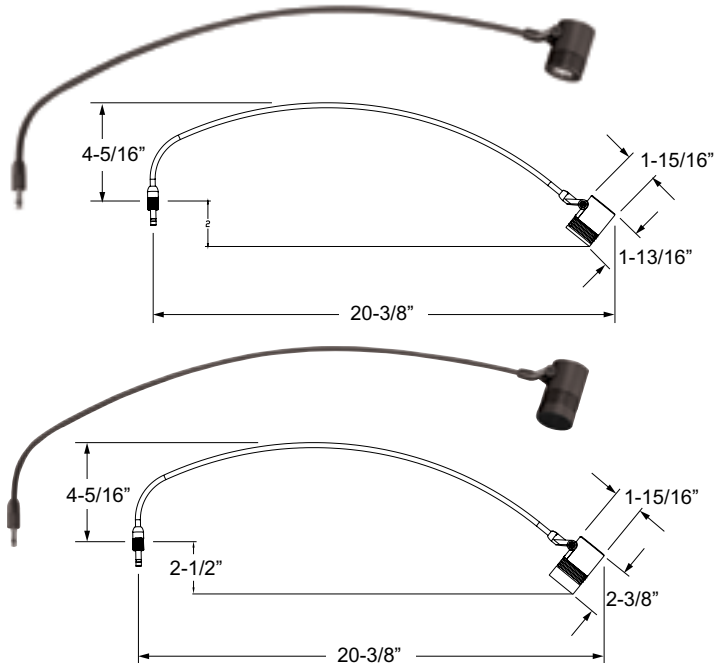
Housing Precision machined aluminum construction.

Quick Jack Adapter Provides a simple, convenient method of attaching the TQJDLH Series fixtures to a variety of compatible mounting options • Enables fixtures to be quickly and easily removed from the mounting point and re-installed or replaced at a later time.

Aiming Fixture can be continuously aimed between 0° and 60° from nadir • See Photometric Data for details.

Mounting Options May be used with the following LED-compatible Quick Jack mounting methods: the TQJDL-CLAMP Quick Jack Power Clamp (D1.8.12); Juno Trac-Master or Trac-Lites line voltage trac using T537QJU (D1.2.4); Juno Monoline line voltage trac using MLTQJL75 (P7.9); Juno QJL Monopoints with Integral Transformer (P7.4); Juno Quick Jack remote Monopoints when operated with LED-compatible transformers/drivers (P7.4); Juno Trac 12 or Trac 12/25 low voltage trac using TLQJA Quick Jack Adapter (D3.4.0) and LED-compatible transformers/drivers (D3.1.3, D3.1.6, D3.1.8, D3.1.9, D3.1.10); Juno Flex 12 low voltage trac using TFQJA Quick Jack Adapter (D5.5.0) and LED-compatible transformers/drivers (D3.1.3, D3.1.6, D3.1.8, D3.1.9, D3.1.10) • Other mounting methods may also be compatible – consult factory for additional information.

DIMENSIONS



Dimming May be dimmed with dimmers tested and qualified by Juno for use with the non-resistive TQJDLH Series load – see transformer/driver specifications for compatible dimmers • Color temperature remains constant over dimming range • Consult factory for additional information.

Warranty Warranty period is 5-years from date of purchase • Standard Juno Lighting Group product guarantee terms and conditions apply • Continuously operating the TQJDLH above 12VAC will void the warranty.

Labels ETL listed to UL 1598 for use in U.S. • ETL listed to CSA C22.2 No. 250 for use in Canada.

Product specifications subject to change without notice.

ACCESSORIES

Cat. No.	Description
TMC-SNOOT-BL	Snoot - Black
TMC-SNOOT-STN	Snoot - Satin Nickel
TMC-SNOOT-WH	Snoot - White

ORDERING INFORMATION

Fixture Type	Color Temperature	Beam Spread	Finish	Options
TQJDLV	2 2700K	S Spot	BL Black	Blank No Snoot
6W Quick Jack LED Mini-Cylinder	3 3000K	N Narrow Flood	STN Satin Nickel	S With Snoot
Display/Picture Light Vertical Mount	35 3500K	F Flood	WH White	
	4 4000K			

Ordering Examples: TQJDLV-2S-WH, TQJDLV-35N-STN-S

TRAC-MASTER®

QUICK JACK LED MINI-CYLINDER DISPLAY/PICTURE LIGHT VERTICAL MOUNT 12-VOLT AC TQJDLV

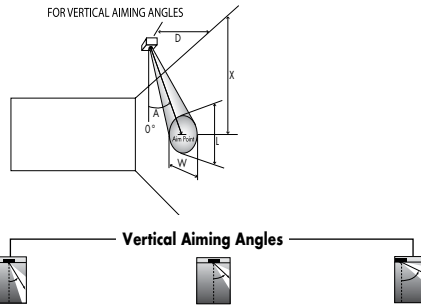
PERFORMANCE DATA¹

Catalog Number	Input Voltage	Watts (Maximum)	Lumens	Efficacy (LPW)	Rated Life (Hours)
TQJDLV-2S	12.0V	6.6W	315	48	50,000
TQJDLV-2N	12.0V	6.6W	296	45	50,000
TQJDLV-2F	12.0V	6.6W	272	41	50,000
TQJDLV-3S	12.0V	6.6W	328	50	50,000
TQJDLV-3N	12.0V	6.6W	308	47	50,000
TQJDLV-3F	12.0V	6.6W	283	43	50,000
TQJDLV-35S	12.0V	6.6W	344	52	50,000
TQJDLV-35N	12.0V	6.6W	323	49	50,000
TQJDLV-35F	12.0V	6.6W	297	45	50,000
TQJDLV-4S	12.0V	6.6W	344	52	50,000
TQJDLV-4N	12.0V	6.6W	323	49	50,000
TQJDLV-4F	12.0V	6.6W	297	45	50,000

¹Performance data, including Rated Life, is based on measurements of an individual fixture operating in a 25°C ambient. In practice, multiple fixtures used in a system will average slightly lower power consumption due to voltage drop within the system.
Note: For operation at 11.5 volts multiply Lumens by 0.94.

CBCP • Centerbeam candlepower
FC • Footcandles at beam center (aim point)

In vertical aiming applications, aim point (X) is determined by dividing distance from the wall (D) by the tangent of the desired aim angle (A) (0.5774 for 30°, 1.0 for 45°, 1.732 for 60°).



Fixture	Beam Type	Beam Spread	Rated Life	CBCP	30°			45°			60°							
					D	FC	X	L	W	FC	X	L	W	D	FC	X	L	W
TQJDLV 3000K Spot	S	21°	50000	1708	1.4	109	2.4	2.3	1.0	308	1.4	1.1	0.7	1.4	566	0.8	0.7	0.6
TQJDLV 3000K Narrow Flood	N	25°	50000	1078	1.4	69	2.4	2.9	1.2	194	1.4	1.3	0.9	1.4	357	0.8	0.8	0.7
TQJDLV 3000K Flood	F	38°	50000	519	1.4	33	2.4	6.1	1.9	94	1.4	2.2	1.4	1.4	172	0.8	1.3	1.1

For 2700K fixtures, use 0.96 multiplier; for 3500K fixtures, use 1.05 multiplier; for 4000K fixtures, use 1.05 multiplier.

