

**Juno**

Project: \_\_\_\_\_

Fixture Type: \_\_\_\_\_

Location: \_\_\_\_\_

Contact/Phone: \_\_\_\_\_

# 6" IC LED RETROFIT EYEBALL TRIM

**600 LUMEN  
J6RLEG4**

## PRODUCT DESCRIPTION

All-in-one 6" LED Retrofit eyeball trim installs into existing 6" incandescent housings with medium base sockets or Juno IC23-LEDT24 and IC23R-LEDT24 quick connect recessed housings • May be used in housings completely covered with insulation • Adjustable eyeball design allows for 30° vertical adjustment, rotates 358° • Field installable optic accessories available to provide different beam spread options • Dimmable with most standard incandescent or electronic low voltage dimmers • Designed to provide 50,000 hours of life • 5 year limited warranty on LED components.

## ENVIRONMENTALLY FRIENDLY, ENERGY EFFICIENT

- No harmful ultraviolet or infrared wavelengths
- No lead or mercury
- Comparable light output to 65W BR30 incandescent while consuming 11W

## PRODUCT SPECIFICATIONS

**LED Retrofit Eyeball Trim** Aluminum eyeball trim with white finish  
 • All-in-one design where LED light engine mounts directly to trim  
 • Up to 30° vertical adjustment, rotates 358° • Provided with torsion springs as standard • Accessory kit available for use in housings that do not have torsion spring retaining brackets.

**LED Light Engine** LED array integrated to one piece high purity aluminum, thermally conductive eyeball housing provides uninterrupted heat transfer to ensure long life of the LED • Replaceable light engine mounts directly to eyeball housing and incorporates the latest generation, high lumen output LED array • LEDs are binned to standards that exceed ENERGY STAR® requirements yielding superior fixture to fixture color uniformity • 2700K, 3000K, 3500K or 4100K color temperature available • 90 CRI minimum.

**LED Driver** Dedicated 120 volt driver • Power factor > 0.9 at 120V input  
 • Dimmable with the use of most incandescent, magnetic low voltage and electronic low voltage wall box dimmers • For a list of compatible dimmers, see [JUNOICLED-DIM](#) and reference dimmer list for dedicated 120V only housing.

**Optical System** Computer-optimized reflector design with high reflectance white finish coupled with a high transmission diffusing lens conceals the LEDs • Efficient system that can produce over 600 lumens while using 11W • Wide flood distribution shipped as standard with optional optic accessories available and sold separately.

**Electrical Connections** Trim features quick connect plug installed as standard for installation into IC23-LEDT24 and IC23R-LEDT24 housings with mating connector • Trim ships with a medium base socket adapter whip for installation into 6" incandescent housings with medium base sockets.

**Life** Rated for 50,000 hours at 70% lumen maintenance.

**Labels** ENERGY STAR® Qualified • Certified to the high efficacy requirements of California T24 • Suitable for damp locations  
 • Union made • UL and cUL classified for use with 6" incandescent medium based housings and Juno IC23-LEDT24 or IC23R-LEDT24; see below for specific compatibility requirements.

**Testing** All reports are based on published industry procedures; field performance may differ from laboratory performance.

Product specifications subject to change without notice.

## COMPATIBLE HOUSINGS

The J6RLEG4 retrofit module is compatible with most 6" recessed housings measuring at least 5-1/4" high with an inside diameter between 6" and 6-3/4". Removal of the housing socket plate or socket mounting bracket may be required in order for the trim to fit properly. If housing does not have torsion spring brackets, the V6RL-TRB accessory is required.

**Compatible housings include, but not limited to:**

**Juno housings:** IC2, IC22, IC23, IC21 and TC2 Series

**Juno quick-connect LED housings:** IC23-LEDT24 and IC23R-LEDT24

**VuLite housings:** V6IC and V6TC Series

**Halo housings:** H7 Series, H25 Series

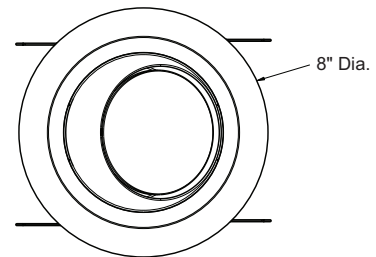
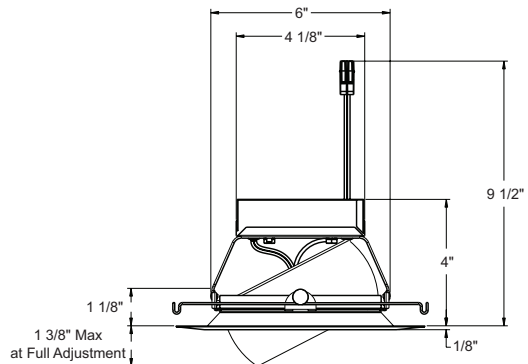
**Thomas housings:** PS1 and PS3 Series

**Capri housings:** CR1, PR1, QL6 Series, P9ASIC Series

**Lithonia housings:** L7X and LC6 Series

REV-6/15

## DIMENSIONS



## ELECTRICAL DATA

120V	
Input Power	11.4W (+/-5%)
Input Current - Max	0.10A
Frequency	50/60Hz
EMI/RFI	FCC Title 47 CFR, Part 15, Class B (consumer)
Minimum starting temp	-25°C
CRI	90 min.

## MOUNTING ACCESSORIES

Catalog No.	Description
<b>V6RL-TRB</b>	Torsion receiver bracket kit to install trim into housings that do not have torsion receiver brackets

To order, specify catalog number.

# 6" IC LED RETROFIT EYEBALL TRIM

600 LUMEN  
**J6RLEG4**

**ORDERING INFORMATION:** Retrofit and accessories each ordered separately.

Example: **J6RLEG4-27K-6-WH**

Eyeball Retrofit	Color Temperature	Lumen Package	Finish
J6RLEG4	27K 2700K 3K 3000K 35K 3500K 41K 4100K	6 600 Lumen	WH White

## OPTIC ACCESSORIES

Catalog No.	Description
<b>LEDOPTICG3-M</b>	Medium Flood Optic (50°)
<b>LEDOPTICG3-N</b>	Narrow Flood Optic (37°)
<b>LEDOPTICG3-S</b>	Spot Optic (10°)

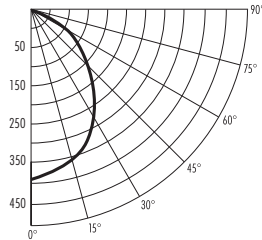
To order, specify catalog number.

## PHOTOMETRIC REPORT

Test Report #: PTO3151901R  
Catalog No: J6RLEG4-27K-6-WH  
with standard wide beam optic

Luminaire Spacing Criterion: 1.08

Luminaire LPW: 61



## CANDLEPOWER DISTRIBUTION (Candelas)

Degrees	Vertical
0	393
5	389
15	359
25	306
35	245
45	166
55	86
65	40
75	15
85	3
90	0

Multiplier: 3K - 1.06  
35K - 1.13  
41K - 1.17

## AVERAGE INITIAL FOOTCANDLES

Multiple Units (Square Array, 60"x60' room)  
Ceiling 80% Wall 50% Floor 20%

Spacing	RCR1	RCR3	RCR5
4.0'	47	38	31
5.0'	30	24	20
6.0'	21	17	14
7.0'	17	14	11
8.0'	13	11	9
9.0'	10	8	7
10.0'	7	6	5

## ZONAL LUMEN SUMMARY

Zone	Lumens	%Lamp	%Fixture
0-30°	278	N/A	39.9
0-40°	430	N/A	61.8
0-60°	636	N/A	91.4
0-90°	697	N/A	100.0

## INITIAL FOOTCANDLES (One Unit, 11.4W, 82.7° Beam)

Distance to Illuminated Plane (Feet)	Footcandles Beam Center	Beam Diameter
4	24.5	7.0'
6	10.9	10.6'
8	6.1	14.1'
10	3.9	17.6'

## LUMINANCE (Average cd/m²)

45	26232
55	16821
65	10473
75	6617
85	3322

Fixtures tested to IES recommended standard for solid state lighting per LM-79-08. Photometric performance on a single unit represents a baseline of performance for the fixture. Results may vary in the field.

**CBCP** • Centerbeam candlepower

**FC** • Footcandles at beam center (aim point)

In vertical aiming applications, aim point (X) is determined by dividing distance from the wall (D) by the tangent of the desired aim angle (A) (0.5774 for 30°).

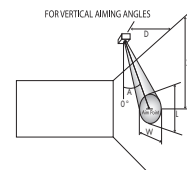
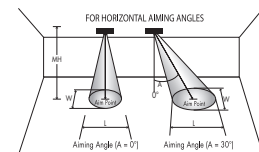
### Horizontal Aiming Angles



### Vertical Aiming Angles



Fixture	Beam Type	Beam Spread°	Rated Life	CBCP	0°			30°			30°					
					MH	FC	L	W	FC	L	W	D	FC	X	L	W
J6RLEG4-27K-6-WH with LEDOPTICG3-M Medium Flood Optic	MFL	50°	50000	689	3	77	2.8	2.8	50	4.0	3.2	1	86	1.7	10.7	1.9
					4	43	3.7	3.7	28	5.4	4.3	2	22	3.5	21.5	3.7
					5	28	4.7	4.7	18	6.7	5.4	3	10	5.2	32.2	5.6
					6	19	5.6	5.6	12	8.0	6.5	4	5	6.9	42.9	7.5
J6RLEG4-27K-6-WH with LEDOPTICG3-N Narrow Flood Optic	NFL	37°	50000	836	3	93	2.0	2.0	60	2.8	2.3	1	105	1.7	4.0	1.3
					4	52	2.7	2.7	34	3.7	3.1	2	26	3.5	8.1	2.7
					5	33	3.3	3.3	22	4.6	3.9	3	12	5.2	12.1	4.0
					6	23	4.0	4.0	15	5.6	4.6	4	7	6.9	16.1	5.4
J6RLEG4-27K-6-WH with LEDOPTICG3-S Spot Optic	SP	10°	50000	5503	4	344	0.7	0.7	223	0.9	0.8	2	172	3.5	1.4	0.7
					5	220	0.9	0.9	143	1.2	1.0	3	76	5.2	2.1	1.0
					6	153	1.0	1.0	99	1.4	1.2	4	43	6.9	2.9	1.4
					7	112	1.2	1.2	73	1.6	1.4	5	28	8.7	3.6	1.7
8	86	1.4	1.4	56	1.9	1.6	6	19	10.4	4.3	2.1					



For 3000K fixtures, use 1.06 multiplier; for 3500K fixtures, use 1.13 multiplier; for 4100K fixtures, use 1.17 multiplier.



1300 S. Wolf Road • Des Plaines, IL 60018 • Phone (847) 827-9880 • Fax (847) 827-2925  
220 Chrysler Drive • Brampton, Ontario • Canada L6S 6B6 • Phone (905) 792-7335 • Fax (905) 792-0064  
Visit us at [www.junolightinggroup.com](http://www.junolightinggroup.com)

Printed in U.S.A. ©2015 Juno Lighting, LLC.