

Juno®

Project: _____

Fixture Type: _____

Location: _____

Contact/Phone: _____

5" TC LED DOWNLIGHT NEW CONSTRUCTION

TC920LED LED RECESSED HOUSING
OPEN TRIMS



PRODUCT DESCRIPTION

Dedicated LED new construction housing with integral light engine
 • TC housing design for use in non-insulated areas • If installed where insulation is present, the insulation must be pulled back 3" from all sides of the TC housing • LED housing is designed to provide 50,000 hours of life and is compatible with many standard Juno trims • 3 year warranty.

ENVIRONMENTALLY FRIENDLY, ENERGY EFFICIENT

- No harmful ultraviolet or infrared wavelengths
- No lead or mercury
- Comparable light output to 26W compact fluorescent



PRODUCT SPECIFICATIONS

LED Light Engine Cast aluminum heat sink integrated directly with housing provides superior thermal management to ensure the long life of the LED • Replaceable PC board with quick connector mounts directly to heat sink and incorporates the latest generation of high lumen output LEDs binned to Energy Star standards • 3000K, 3500K, or 4100K color temperatures available • 85 CRI typical.

Optical System Computer-optimized internal reflector with specular finish coupled with a high transmission diffusing lens conceals the LEDs and produces uniform aperture luminance • Deep regression of lens produces a low glare, efficient system that produces 900 lumens typical.

Aesthetic Trim Selections Compatible with wide selection of existing Juno trims • Shadow free, knife edge design blends seamlessly into ceiling.

LED Driver Non-dimming and optional 0-10V dimming driver accommodates 120 or 277 volts AC at 50/60Hz
 • Power factor > 0.9 at 120V input • Optional Lutron Hi-Lume® driver accommodates 120 or 277 volts AC at 50/60 Hz • Mounted between the j-box and housing for easy access and cool operation.

Life Rated for 50,000 hours at 70% lumen maintenance.

Labels Energy Star qualified when used with select baffle and cone trims • UL listed for through-branch wiring, damp locations • Union made AFL-CIO • UL and cUL listed • RoHS compliant • Lutron Hi-Lume® driver and emergency battery back-up options are UL listed for U.S. only.

Testing All reports are based on published industry procedures; field performance may differ from laboratory performance.

Product specifications subject to change without notice.

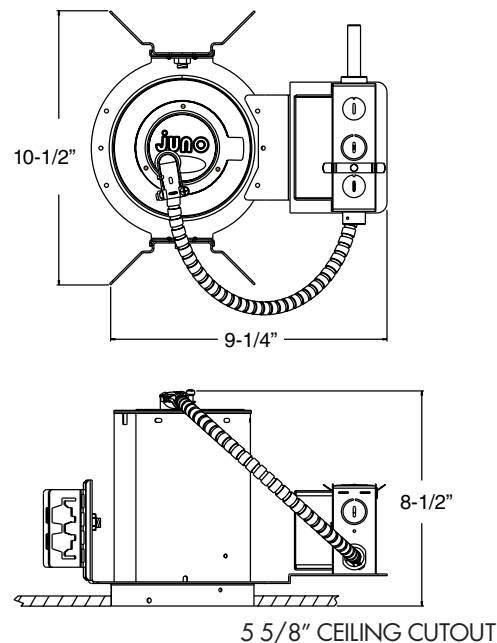
HOUSING FEATURES

Housing Designed for use in TC application (non-insulated)
 • Thermal protector installed in J-box protects against improper insulation use • .032" aluminum housing • Housing is vertically adjustable to accommodate up to a 1" ceiling thickness.

Junction Box Pre-wired junction box provided with (4) 1/2" and (1) 3/4" knockouts and ground wire, UL listed and cUL listed for through-branch wiring, maximum 8 No. 12 AWG 90 ° C branch circuit conductors (4 in, 4 out) • Junction box provided with removable access plates • Knockouts equipped with pryout slots.

Mounting Frame 16-gauge galvanized steel mounting ring equipped with vertically adjustable mounting brackets that accept 1/2" conduit or "C" channels (HB-26 or HB-50), linear flat bars (LB-27) or Real Nail® 3 bar hangers (HB-1).

DIMENSIONS



ELECTRICAL DATA – NON-DIMMING

	120V	277V
Input Power	25W (+/-5%)	26W (+/-5%)
Input Current - Max	0.21A	0.12A
Frequency	50/60Hz	50/60Hz
Minimum starting temp	-30°C (-22°F)	-30°C (-22°F)

ELECTRICAL DATA – 0-10V DIMMING (DM OPTION)

	120V	277V
Input Power	26W (+/-5%)	28W (+/-5%)
Input Current - Max	0.22A	0.12A
Frequency	50/60Hz	50/60Hz
Minimum starting temp	-30°C (-22°F)	-30°C (-22°F)

ELECTRICAL DATA – LUTRON HI-LUME® LED DRIVER (L OPTION)

	120V	277V
Input Power	25W (+/-5%)	26W (+/-5%)
Input Current - Max	0.21A	0.12A
Frequency	50/60Hz	50/60Hz
Minimum starting temp	10°C (50°F)	10°C (50°F)

5" TC LED DOWNLIGHT NEW CONSTRUCTION

TC920LED LED RECESSED HOUSING

OPEN TRIMS

ORDERING INFORMATION: Housing, trim and accessories each ordered separately.

Example: **TC920LED35K-1-DMBR**

Catalog No.	Color Temp.	Voltage	Options
TC920LED	3K 3000K 35K 3500K 41K 4100K	1 120V 2 277V	DM ¹ Dimmable Driver, 0-10V L ^{1,2} Lutron Hi-Lume® Dimmable Driver BR ^{2,3} Emergency Battery Back-up w/ Remote Switch CP ³ Chicago Plenum

Example: **HB-26**



Accessories

- HB-1** Two 13 1/2" - 25° Real Nail® 3 bar hangers
- HB-26** Two 26" C-channel bar hangers
- HB-50** Two 50" C-channel bar hangers
- LB-27** Two 27" linear bar hangers

Notes:

- ¹ Consult factory for a list of qualified dimmers.
- ² Listed for UL in the U.S. only.
- ³ Chicago Plenum not available with emergency option.

Example: **205W-WH**

Trim/Description	
	205W-WH White Baffle
	205B-WH Black Baffle
	205B-SC Black Baffle
	205B-ABZ Black Baffle
	204C-WH Cone in Clear Alzak®
	204G-WH Cone in Gold Alzak®
	204B-WH Cone in Black Alzak®
	204PT-SC Cone in Pewter Alzak®
	204W-WH Cone in Gloss White
	204HZ-WH Cone in Haze
	204WHZ-WH Cone in Wheat Haze
	204WHZ-ABZ Cone in Wheat Haze

Trim Size: 6 1/4" O.D.

Trim Finish: ABZ - Classic Aged Bronze, SC - Satin Chrome, WH - White.

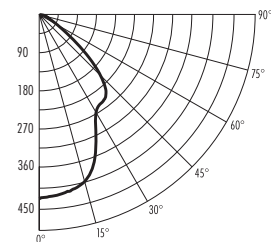
Alzak is a registered trademark of Alcoa Corp.

Note: In Canada when insulation is present, Type IC fixtures must be used.

PHOTOMETRIC REPORT

Test Report #: LTL16173
Catalog No: TC920LED35K
with 205W-WH
White Baffle Trim

Luminaire Spacing Criterion: 1.32
Luminaire LPW: 35.4



CANDLEPOWER DISTRIBUTION (Candelas)

Degrees Vertical	0°
0	434
5	428
15	407
25	314
35	254
45	203
55	83
65	30
75	16
85	5
90	0

Multiplier: 3K - 0.98
41K - 1.02

AVERAGE INITIAL FOOTCANDLES

Multiple Units (Square Array, 60'x60' room)
Ceiling 80% Wall 50% Floor 20%

Spacing	RCR1	RCR3	RCR5
4.0'	59	48	40
5.0'	38	31	25
6.0'	26	21	18
7.0'	21	17	14
8.0'	17	14	11
9.0'	13	10	9
10.0'	10	8	6

ZONAL LUMEN SUMMARY

Zone	Lumens	%Lamp	%Fixture
0-30°	343	N/A	39.0
0-40°	563	N/A	64.0
0-60°	827	N/A	93.9
0-90°	881	N/A	100.0

INITIAL FOOTCANDLES

(One Unit, 24.9W, 87.0° Beam)

Distance to Illuminated Plane (Feet)	Footcandles Beam Center	Beam Diameter
4	27.1	5.3'
6	12.1	7.9'
8	6.8	10.6'
10	4.3	13.2'

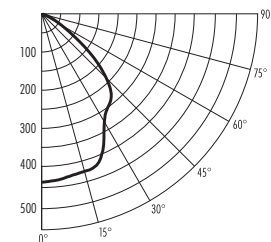
LUMINANCE (Average cd/m²)

Degrees	Average 0° Luminescence
45	29601
55	14839
65	7420
75	6506
85	5849

PHOTOMETRIC REPORT

Test Report #: LTL15956
Catalog No: TC920LED35K
with 204C-WH
Clear Alzak® Trim

Luminaire Spacing Criterion: 1.38
Luminaire LPW: 39.2



CANDLEPOWER DISTRIBUTION (Candelas)

Degrees Vertical	0°
0	429
5	426
15	416
25	371
35	292
45	233
55	103
65	33
75	7
85	0
90	0

Multiplier: 3K - 0.98
41K - 1.02

AVERAGE INITIAL FOOTCANDLES

Multiple Units (Square Array, 60'x60' room)
Ceiling 80% Wall 50% Floor 20%

Spacing	RCR1	RCR3	RCR5
4.0'	64	52	43
5.0'	41	33	27
6.0'	29	23	19
7.0'	23	19	15
8.0'	18	15	12
9.0'	14	11	9
10.0'	10	8	7

ZONAL LUMEN SUMMARY

Zone	Lumens	%Lamp	%Fixture
0-30°	363	N/A	38.1
0-40°	600	N/A	63.0
0-60°	910	N/A	95.5
0-90°	953	N/A	100.0

INITIAL FOOTCANDLES

(One Unit, 24.4W, 92.9° Beam)

Distance to Illuminated Plane (Feet)	Footcandles Beam Center	Beam Diameter
4	26.8	5.5'
6	11.9	8.3'
8	6.7	11.0'
10	4.3	13.8'

LUMINANCE (Average cd/m²)

Degrees	Average 0° Luminescence
45	32063
55	17440
65	7520
75	2716
85	0

Fixtures tested to IES recommended standard for solid state lighting per LM-79-08. Photometric performance on a single unit represents a baseline of performance for the fixture. Results may vary in the field.



1300 S. Wolf Road • Des Plaines, IL 60018 • Phone (847) 827-9880 • Fax (847) 827-2925
220 Chrysler Drive • Brampton, Ontario • Canada L6S 6B6 • Phone (905) 792-7335 • Fax (905) 792-0064
Visit us at www.junolightinggroup.com